

4

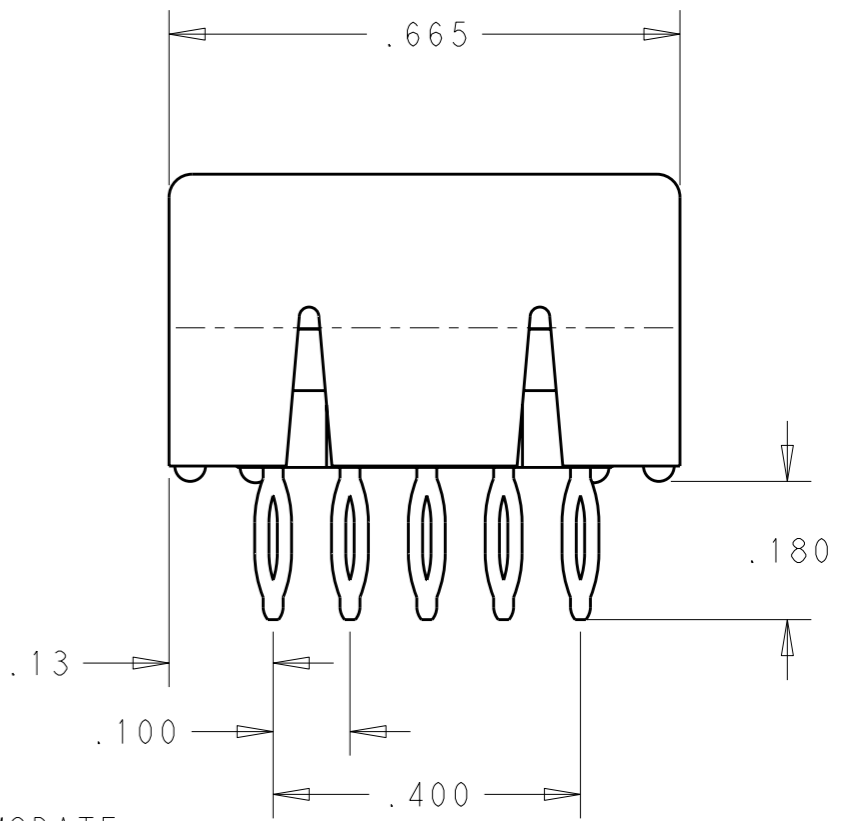
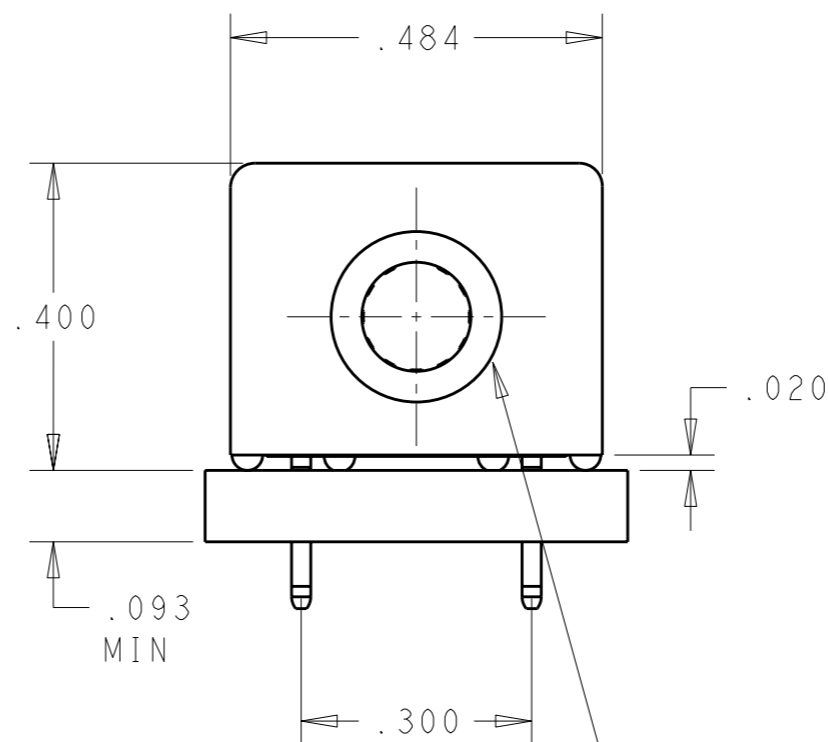
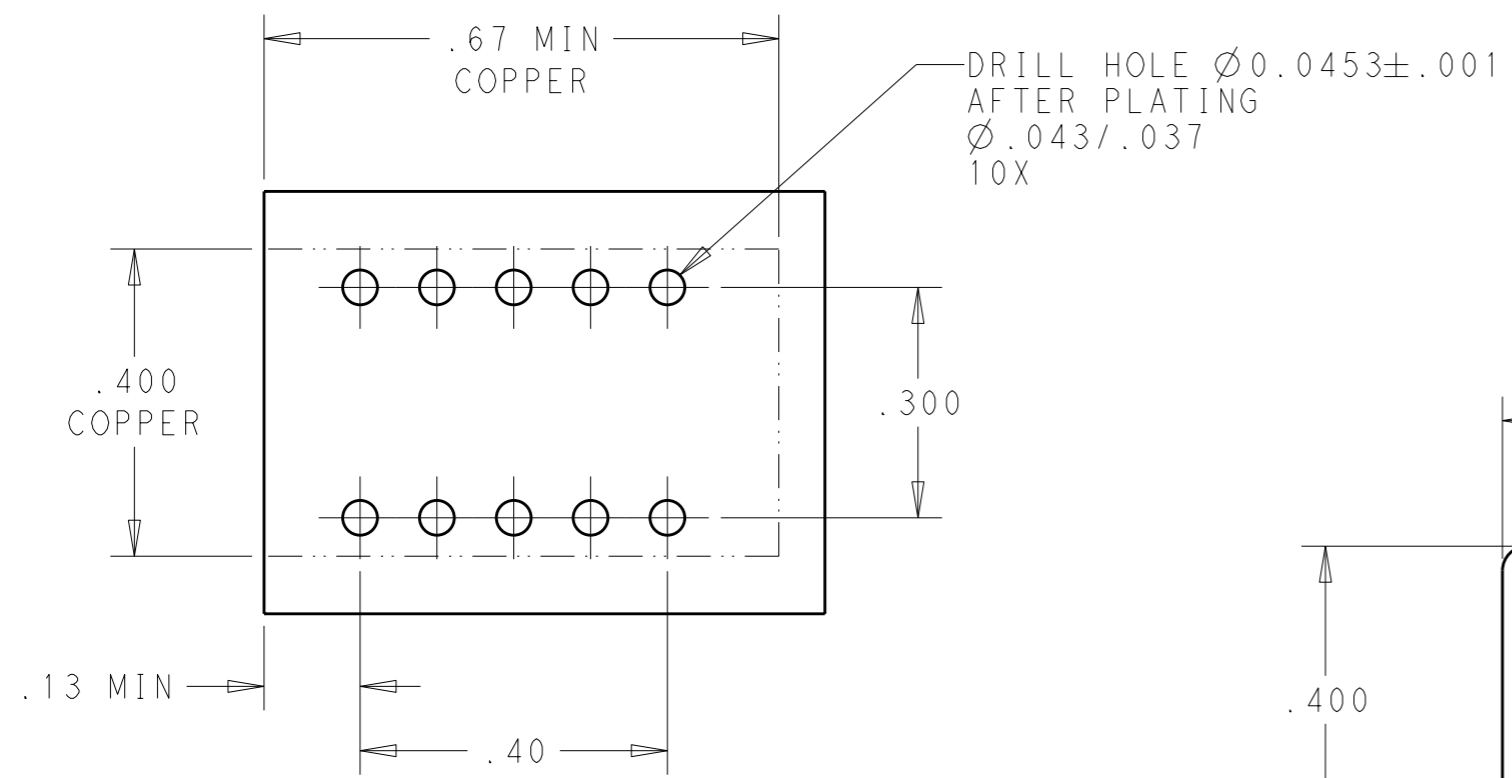
3

2

1

THIS DRAWING IS UNPUBLISHED. RELEASED FOR PUBLICATION 20
 © COPYRIGHT 20 TE ALL RIGHTS RESERVED.

LOC	DIST	REVISIONS				
P	LTR	DESCRIPTION	DATE	DWN	APVD	
GP	00	B	REV PER ECO-11-007678	03JUN2011	RG	DO



1. PART NUMBER CHANGES AND/OR DESIGN CHANGES AFFECTING ITEM INTERCHANGEABILITY REQUIRE PRIOR TO APPROVAL AND AUTHORIZATION BY REVISION TO THIS DRAWING.

2. ITEMS PROVIDED TO THIS SPECIFICATION TO BE IDENTIFIED ON CONTAINER WITH THE FOLLOWING INFORMATION: PART NUMBER & DATE CODE OF MGR

3 MATERIALS:
 INSULATOR - POLYESTER, GLASS FILLED UL 94V-0 RATED, COLOR: BLACK
 MODULE - ZINC ALLOY
 COMPLIANT PINS - PHOSPHOR BRONZE
 CROWN - BeCu

4 FINISH:
 MODULE - SILVER PLATED .000200 MIN THK. OVER NICKEL .000040 MIN THK.
 COMPLIANT PINS - SILVER PLATED .000200 MIN THK. OVER NICKEL .000040 MIN THK.
 CROWN - GOLD PLATED .000030 MIN THK. OVER NICKEL .000040 MIN THK.

6643272-1
 PART NUMBER

THIS DRAWING IS A CONTROLLED DOCUMENT.		DWN CANT/GRZYBOWSKI	03JUN2011		TE Connectivity
DIMENSIONS: INCHES		CHK -	-		
TOLERANCES UNLESS OTHERWISE SPECIFIED:		APVD CHAU/ORRIS	03JUN2011		NAME ICCON SOCKET, PARALLEL COMPLIANT PIN
0 PLC ±- 1 PLC ±- 2 PLC ±.020 3 PLC ±.010 4 PLC ±- ANGLES ±.5		PRODUCT SPEC -	APPLICATION SPEC -		SIZE A3
MATERIAL 3	FINISH 4	WEIGHT -	CAGE CODE 00779	DRAWING NO C-6643272	RESTRICTED TO -
CUSTOMER DRAWING			SCALE 4:1	SHEET 1 OF 1	REV B